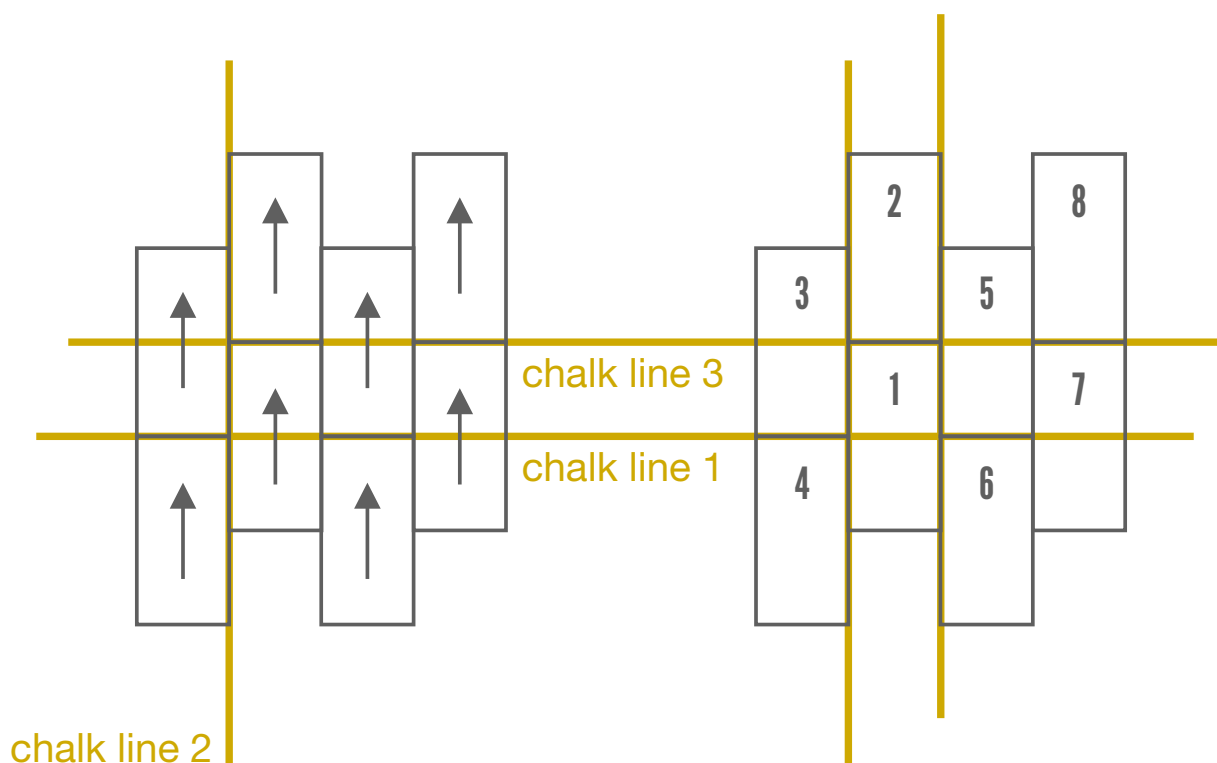


ASHLAR

18X
36



INSTALLATION DIRECTIONS:

Begin the installation by following Shaw's Installation Guidelines for Site Conditions and proper Floor Preparation.

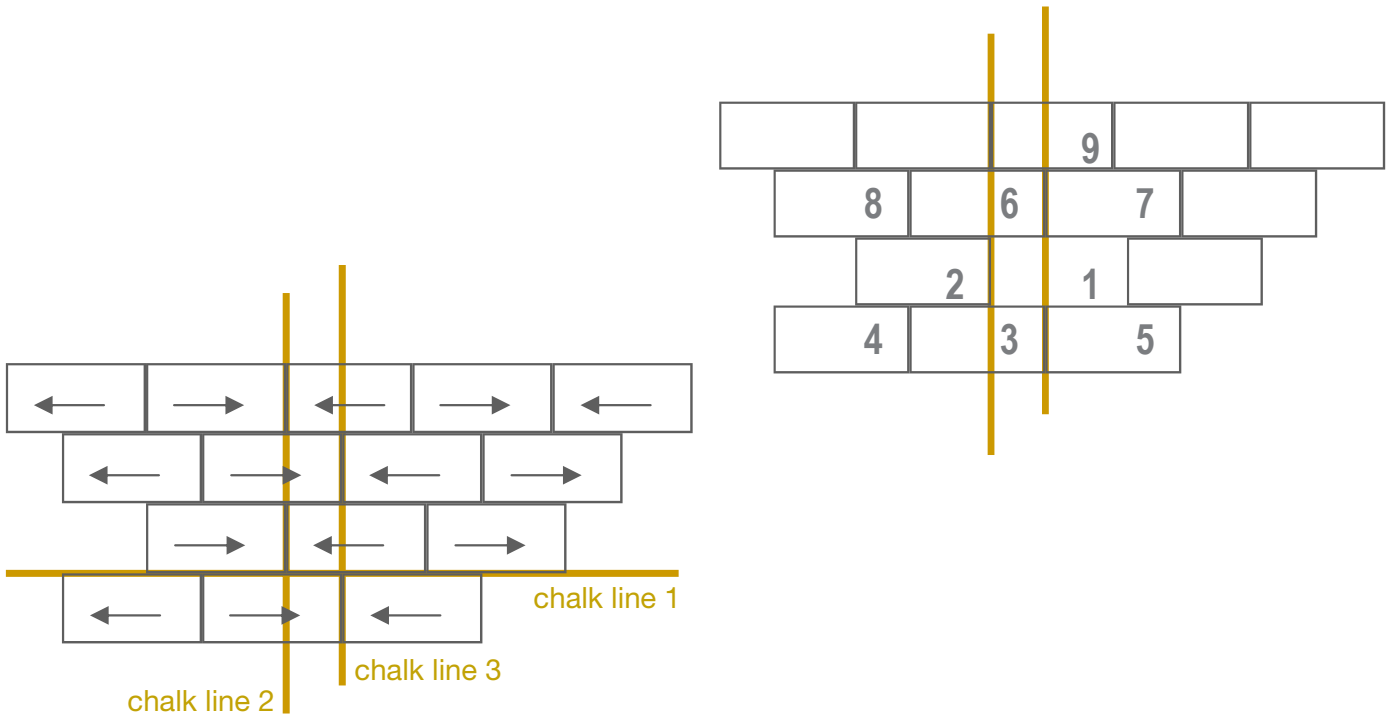
- 1 The starting point in a modular installation must be as near to the center of the room as possible and must be positioned to utilize the largest perimeter cut module size.
- 2 Snap a chalk line parallel to one major wall bisecting the starting point. It may be necessary to offset the center chalk line to assure perimeter modules will be at least half size.
- 3 A second chalk line must be snapped from the starting point at 90° to the first line and a third chalk line must be snapped at 18" apart from the first chalk line.
- 4 Test a dry-install of one section for pattern layout and placement.
- 5 Starting in one quadrant, place tiles in the ashlar pattern illustrated by the numbers above.
- 6 Flow into the opposite quadrant, continuing the ashlar pattern.

Directional arrows are featured on the back of the tile. Numbers within the arrows are for manufacturing purposes and are not related to installation.

shaw contract group®

BRICK

18X
36



INSTALLATION DIRECTIONS:

Begin the installation by following Shaw's Installation Guidelines for Site Conditions and proper Floor Preparation.

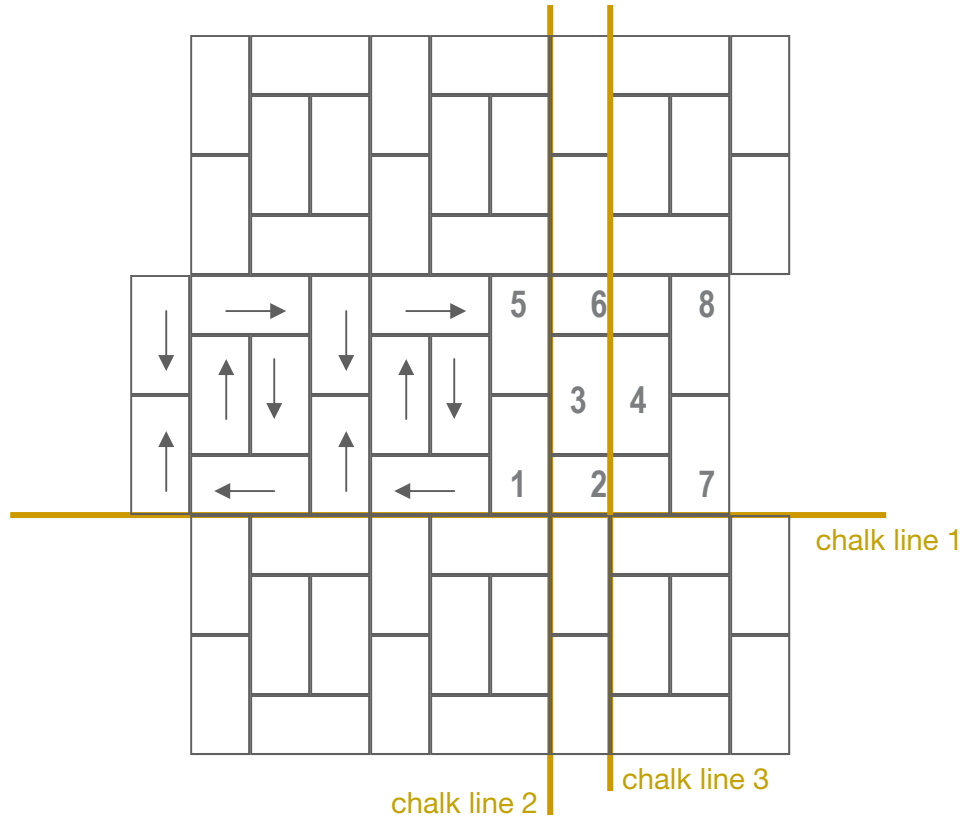
- 1 The starting point in a modular installation must be as near to the center of the room as possible and must be positioned to utilize the largest perimeter cut module size.
- 2 Snap a chalk line parallel to one major wall bisecting the starting point. It may be necessary to offset the center chalk line to assure perimeter modules will be at least half size.
- 3 A second chalk line must be snapped from the starting point at 90° to the first line and a third chalk line must be snapped at 18" apart from the second chalk line.
- 4 Test a dry-install of one section for pattern layout and placement.
- 5 Starting in one quadrant, stagger tiles in the brick pattern illustrated by the numbers above.
- 6 Flow into the adjacent quadrants, keeping arrows facing each other in pairs.

Directional arrows are featured on the back of the tile. Numbers within the arrows are for manufacturing purposes and are not related to installation.

shaw contract group®

BOXED IN

18X
36



INSTALLATION DIRECTIONS:

Begin the installation by following Shaw's Installation Guidelines for Site Conditions and proper Floor Preparation.

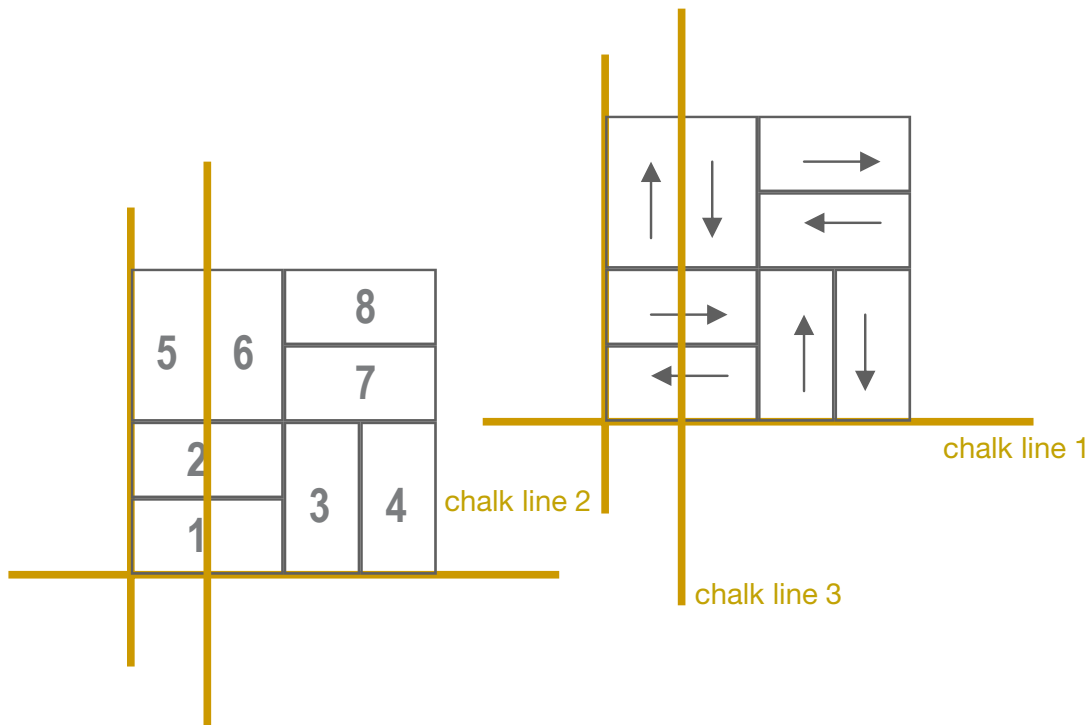
- ① The starting point in a modular installation must be as near to the center of the room as possible and must be positioned to utilize the largest perimeter cut module size.
- ② Snap a chalk line parallel to one major wall bisecting the starting point. It may be necessary to offset the center chalk line to assure perimeter modules will be at least half size.
- ③ A second chalk line must be snapped from the starting point at 90° to the first line and a third chalk line must be snapped at 18" apart from the second chalk line.
- ④ Test a dry-install of one section for pattern layout and placement.
- ⑤ Starting in one quadrant, box-in tiles as illustrated by the numbers above.
- ⑥ Continue to form boxes, constructing columns and staggering every other column 18" as in diagram.

Directional arrows are featured on the back of the tile. Numbers within the arrows are for manufacturing purposes and are not related to installation.

shaw contract group®

BASKETWEAVE

18X
36



INSTALLATION DIRECTIONS:

Begin the installation by following Shaw's Installation Guidelines for Site Conditions and proper Floor Preparation.

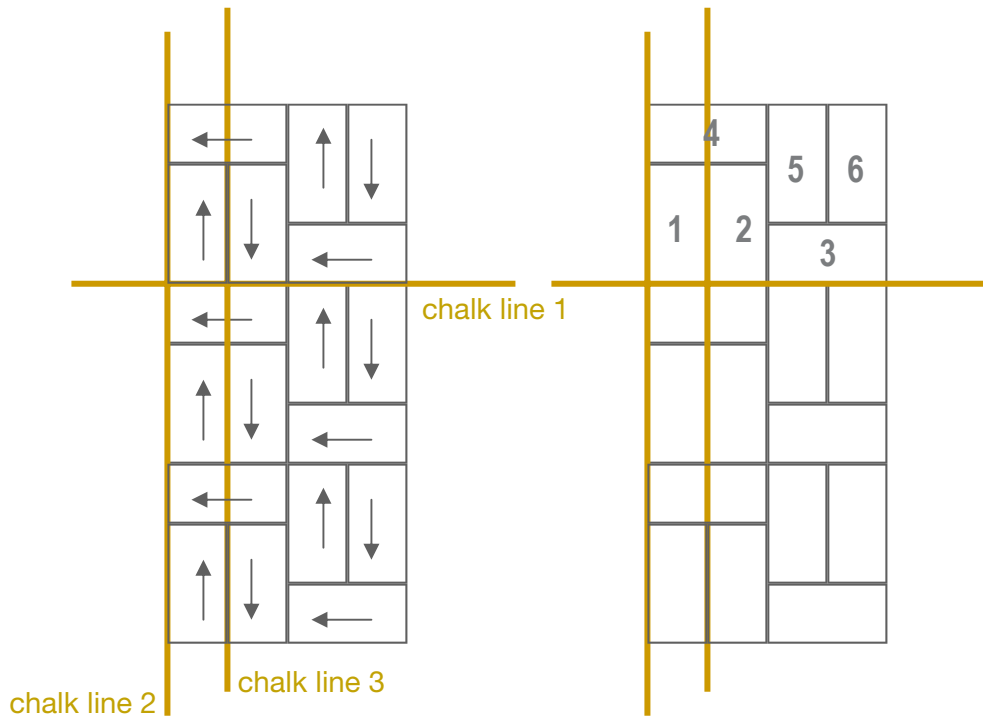
- ① The starting point in a modular installation must be as near to the center of the room as possible and must be positioned to utilize the largest perimeter cut module size.
- ② Snap a chalk line parallel to one major wall bisecting the starting point. It may be necessary to offset the center chalk line to assure perimeter modules will be at least half size.
- ③ A second chalk line must be snapped from the starting point at 90° to the first line and a third chalk line must be snapped at 18" apart from the second chalk line.
- ④ Test a dry-install of one section for pattern layout and placement.
- ⑤ Starting in one quadrant, place tiles in the basketweave pattern quarter turning in pairs of two as illustrated by the numbers above.
- ⑥ The paired tile directions should oppose each other as shown in diagram.

Directional arrows are featured on the back of the tile. Numbers within the arrows are for manufacturing purposes and are not related to installation.

shaw contract group®

HALF BASKETWEAVE

18X
36



INSTALLATION DIRECTIONS:

Begin the installation by following Shaw's Installation Guidelines for Site Conditions and proper Floor Preparation.

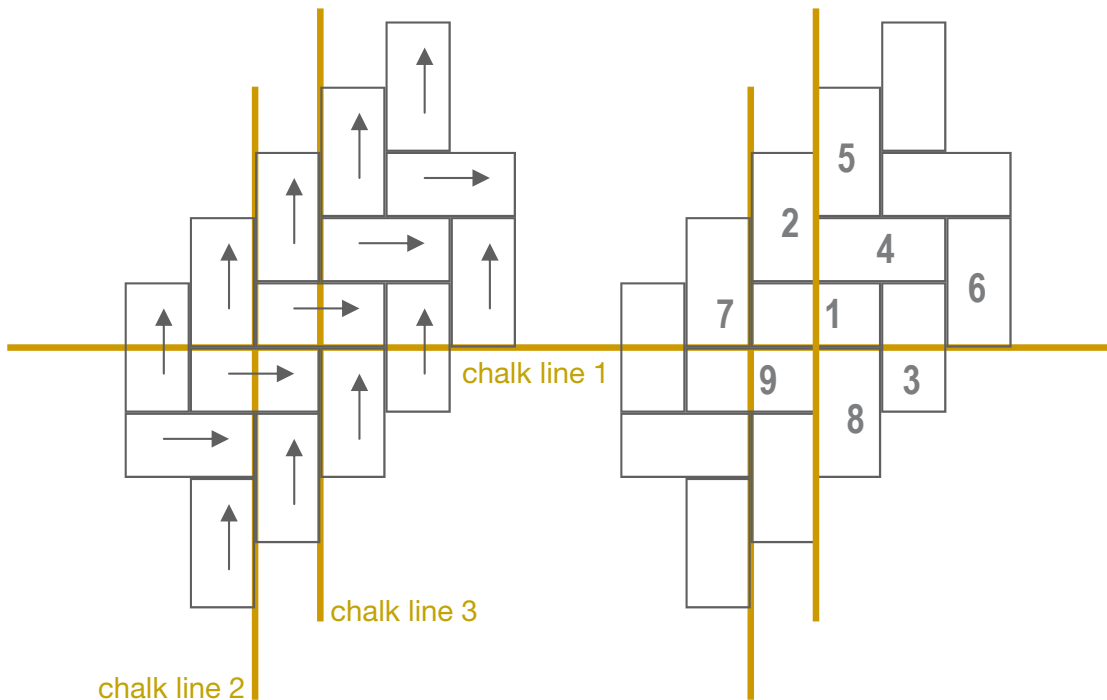
- 1 The starting point in a modular installation must be as near to the center of the room as possible and must be positioned to utilize the largest perimeter cut module size.
- 2 Snap a chalk line parallel to one major wall bisecting the starting point. It may be necessary to offset the center chalk line to assure perimeter modules will be at least half size.
- 3 A second chalk line must be snapped from the starting point at 90° to the first line and a third chalk line must be snapped at 18" apart from the second chalk line.
- 4 Test a dry-install of one section for pattern layout and placement.
- 5 Starting in one quadrant, place tiles in the half basketweave pattern illustrated by the numbers above.
- 6 Continue to place tiles, constructing columns for ease of installation.

Directional arrows are featured on the back of the tile. Numbers within the arrows are for manufacturing purposes and are not related to installation.

shaw contract group®

HERRINGBONE

18X
36



INSTALLATION DIRECTIONS:

Begin the installation by following Shaw's Installation Guidelines for Site Conditions and proper Floor Preparation.

- 1 The starting point in a modular installation must be as near to the center of the room as possible and must be positioned to utilize the largest perimeter cut module size.
- 2 Snap a chalk line parallel to one major wall bisecting the starting point. It may be necessary to offset the center chalk line to assure perimeter modules will be at least half size.
- 3 A second chalk line must be snapped from the starting point at 90° to the first line and a third chalk line must be snapped at 18" apart from the second chalk line.
- 4 Test a dry-install of one section for pattern layout and placement.
- 5 Starting in one quadrant, place tiles in the herringbone pattern illustrated by the numbers above.
- 6 Flow into the opposite quadrant, continuing the herringbone pattern.

Directional arrows are featured on the back of the tile. Numbers within the arrows are for manufacturing purposes and are not related to installation.

shaw contract group®

For more information on installing 18X36 including an instructional video visit shawcontractgroup.com or call 877.502.SHAW